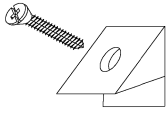



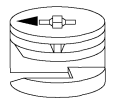
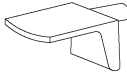
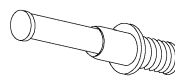

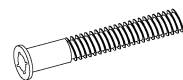
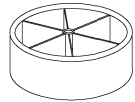
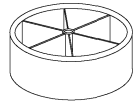
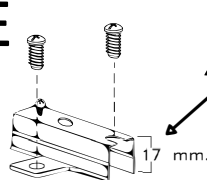
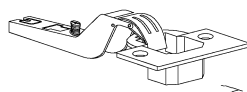

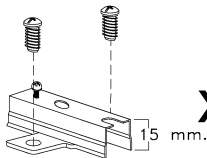
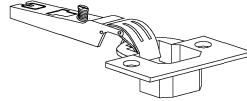

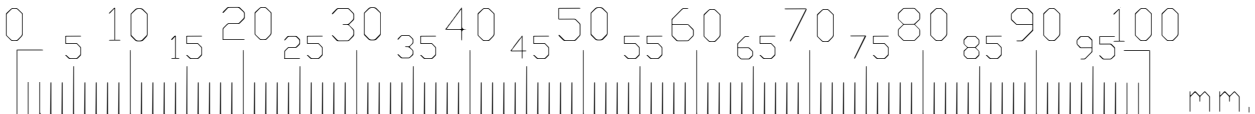
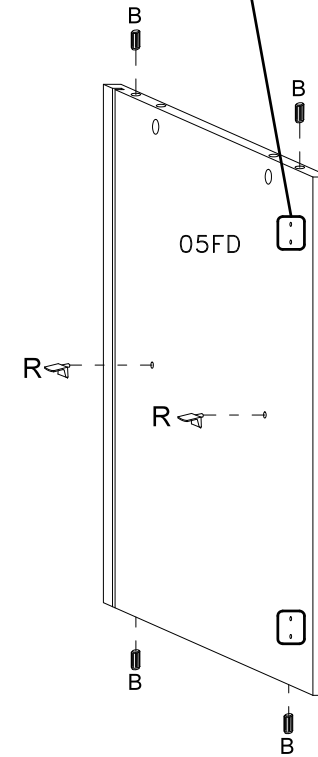
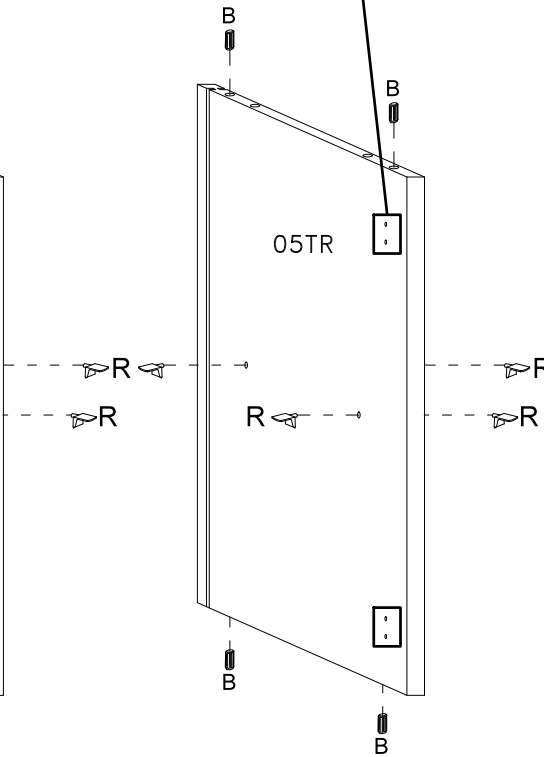
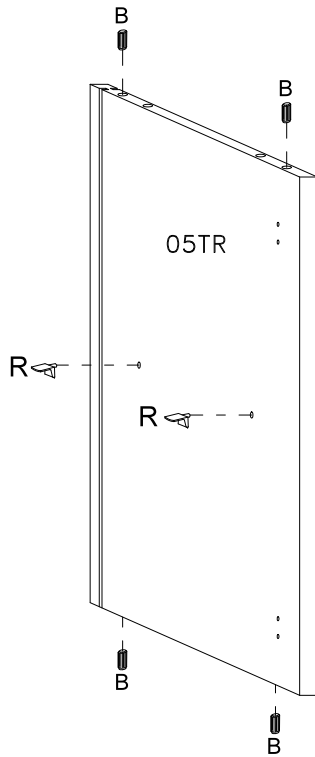
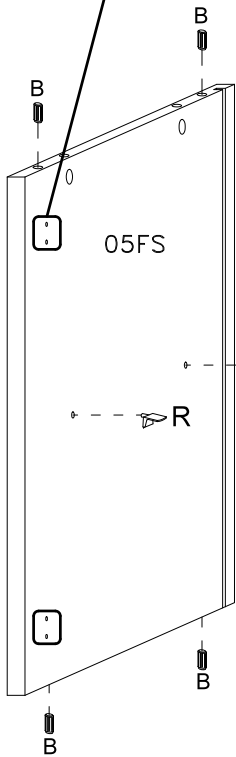
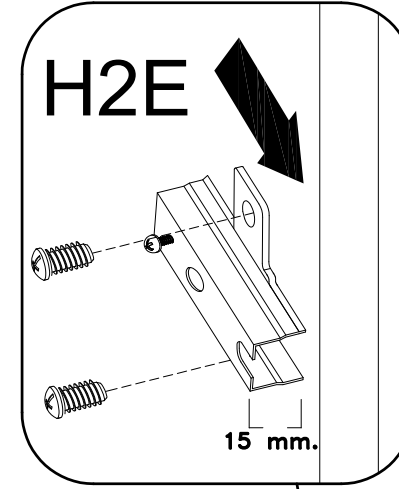
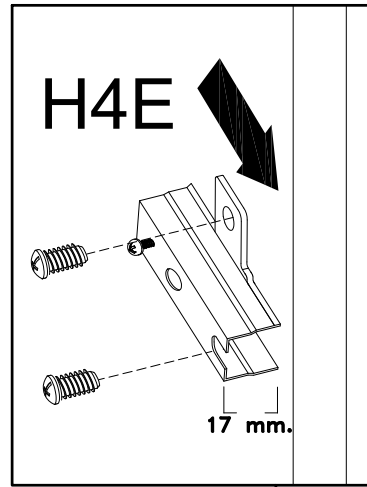
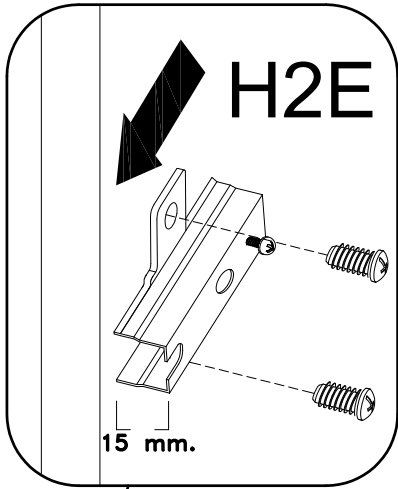
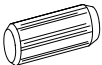
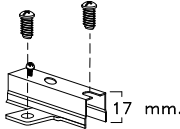
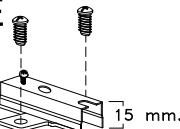



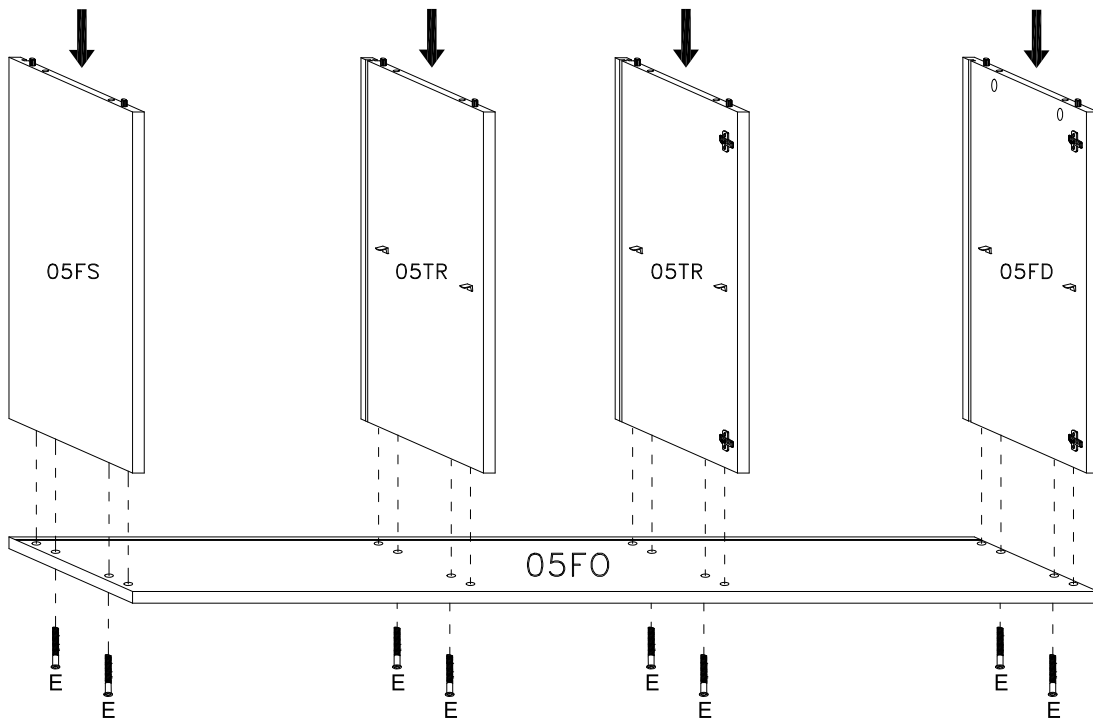
209008-05CF		L4530		209008-05CC	
A		x36		4.5x30 mm.	x6
B		x16	P		x6
C		x8	R		x12
D		x8	T20		x8
E		x8	F21		x6
			205124-06PIE		x6
			Ø 60 mm h 20 mm		
					x2
					x2
				Ø 40	
					x4
				4x15 mm.	
					x4
					x4
				Ø 35	
					x8
				4x15 mm.	
					




1

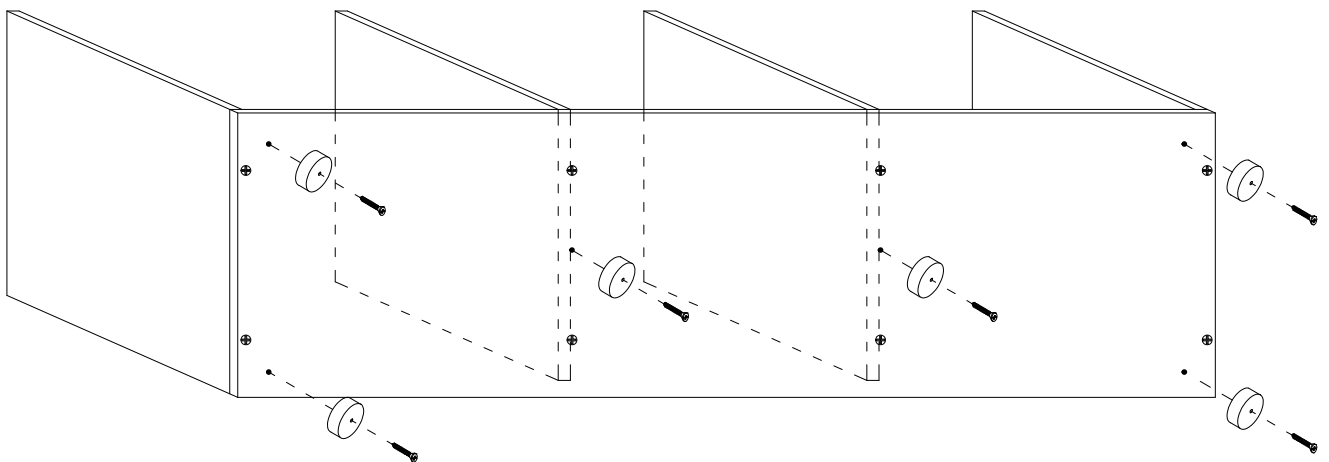
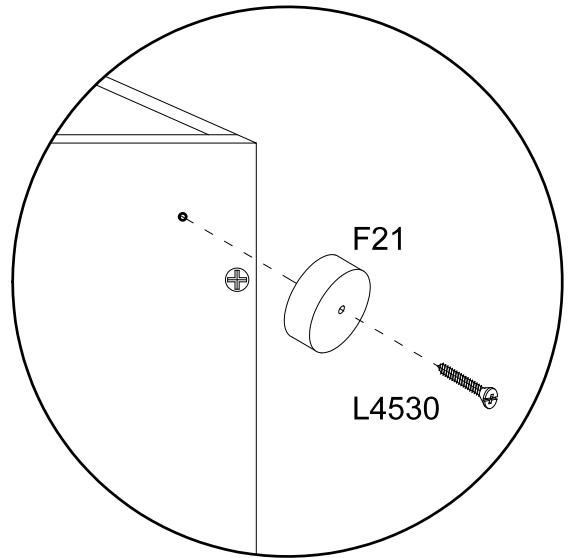
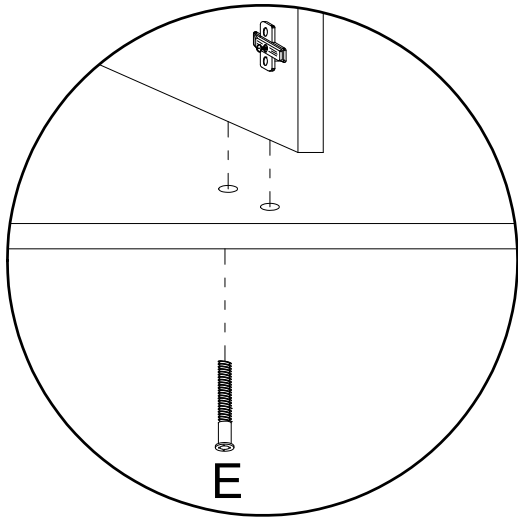


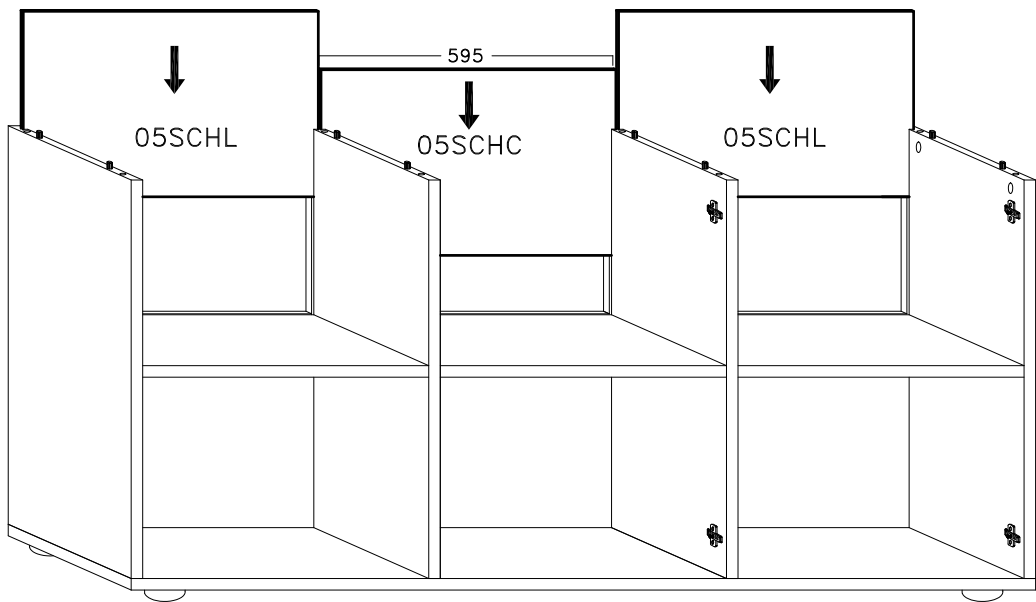
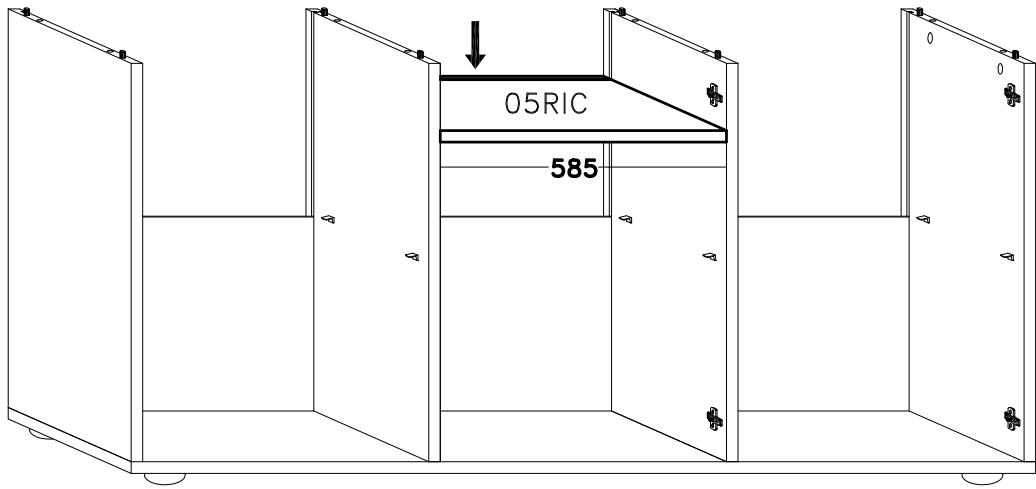
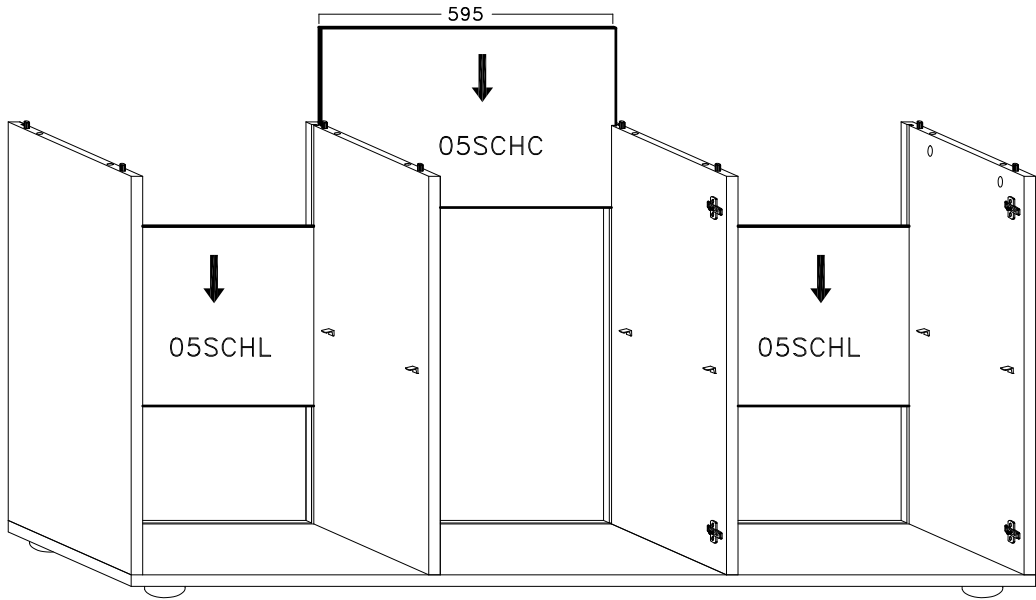
- B**  8x30 mm. **x16**
- H4E**  17 mm. **x2**
- H2E**  15 mm. **x4**
- R**  **x8**

# 2



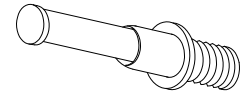
- E  7x60 mm. x8
- L4530  4.5x30 mm. x6
- F21  Ø 60 mm h 20 mm x6



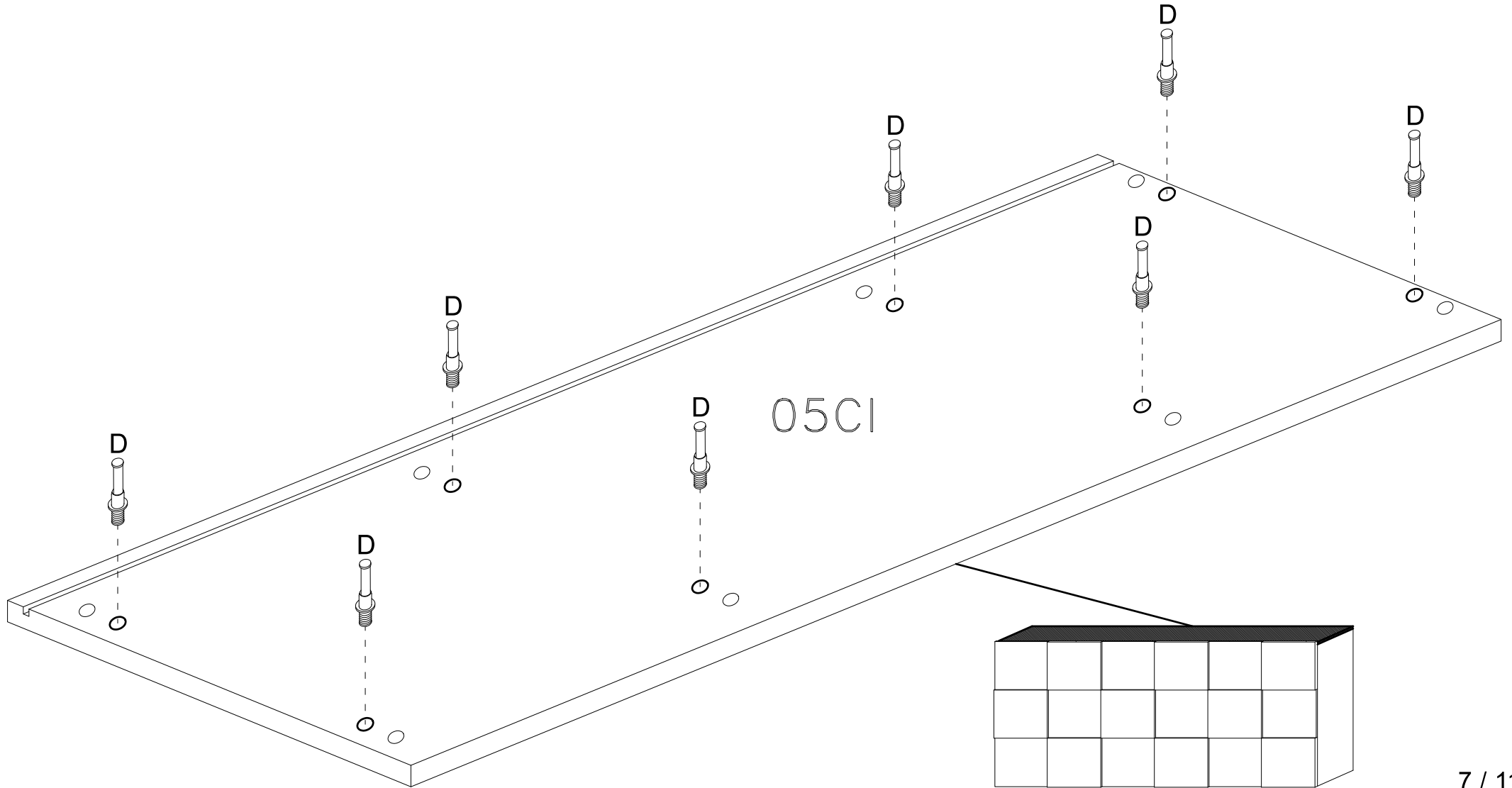


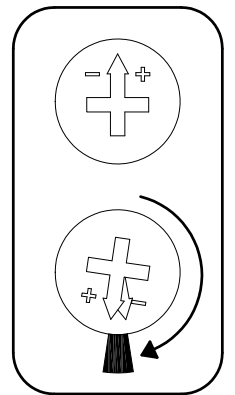
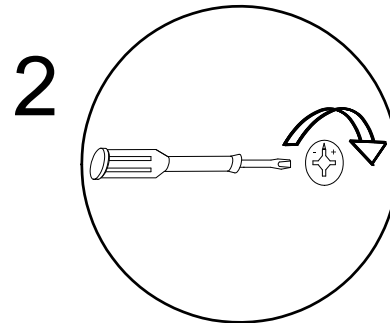
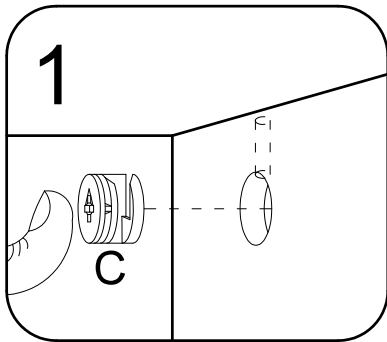
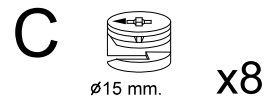
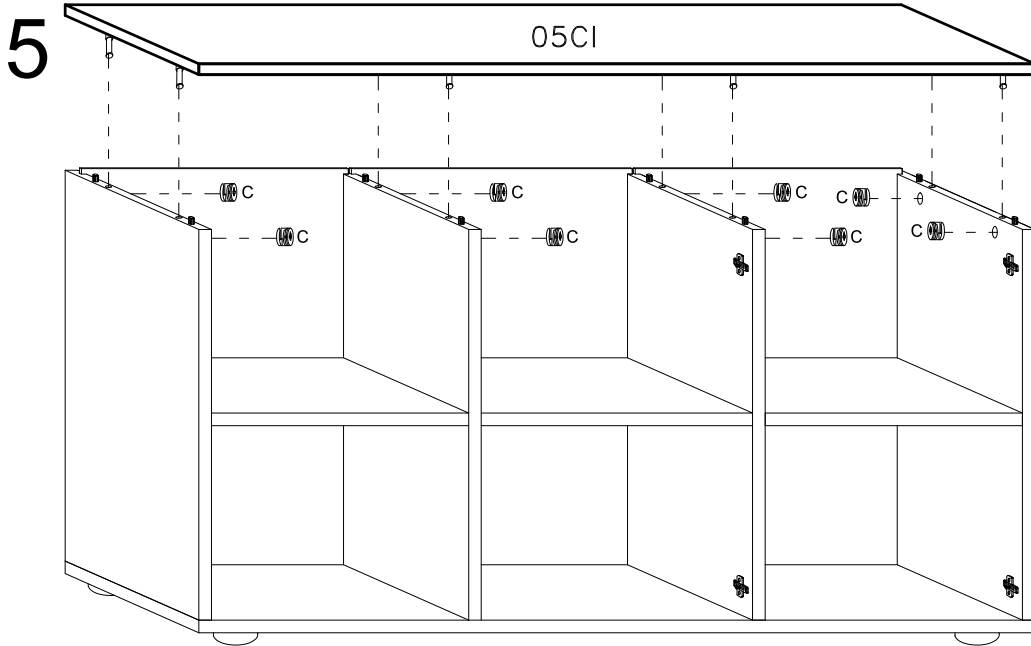
4

D

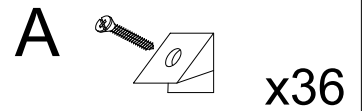
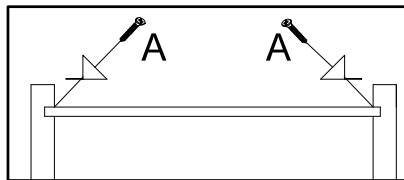


x8

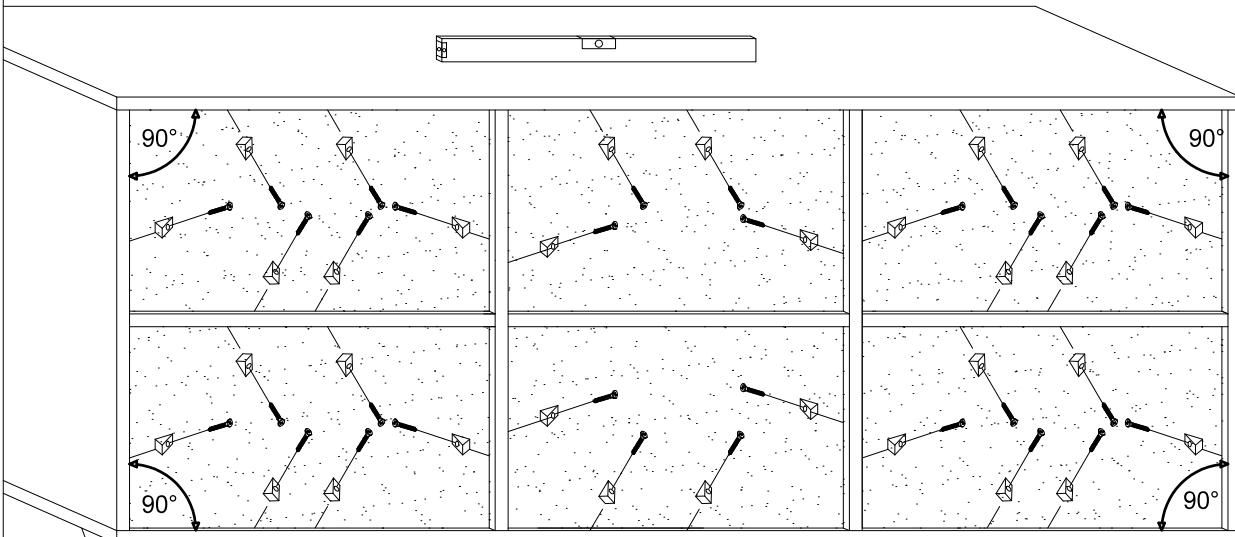




6

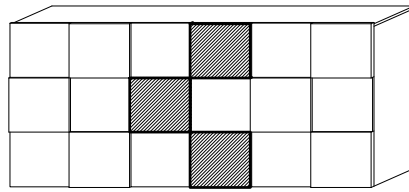
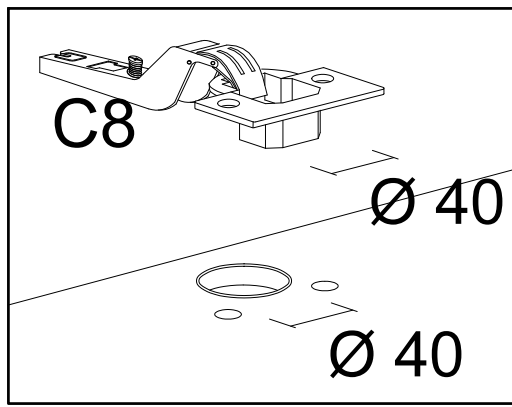


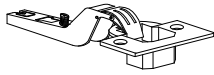


## RETRO-BACK

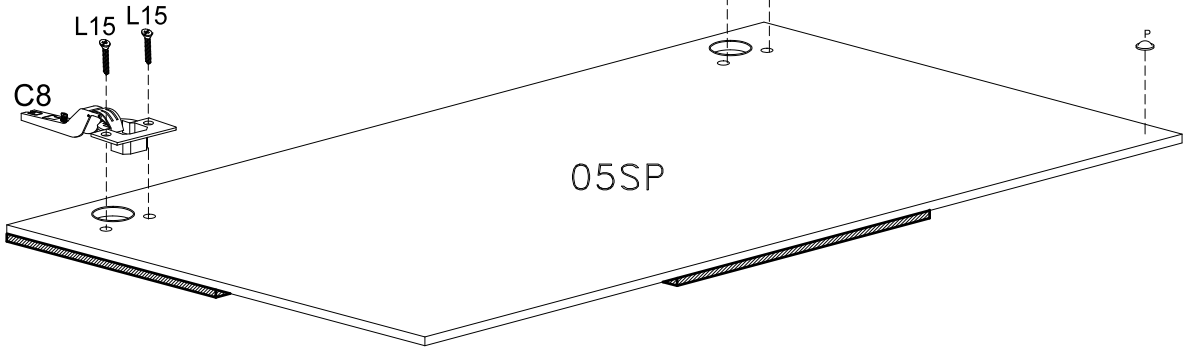




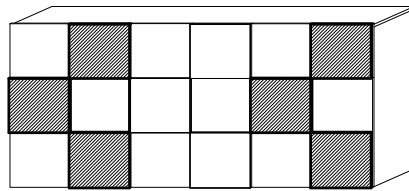
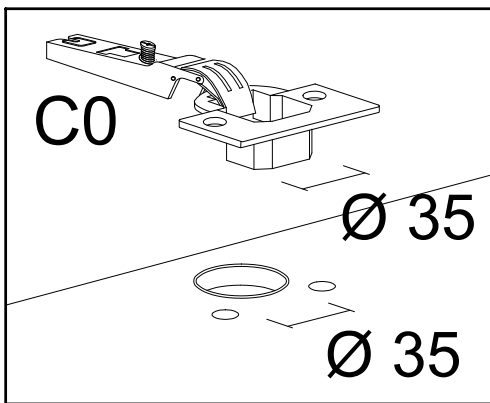
7

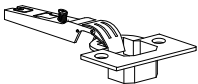




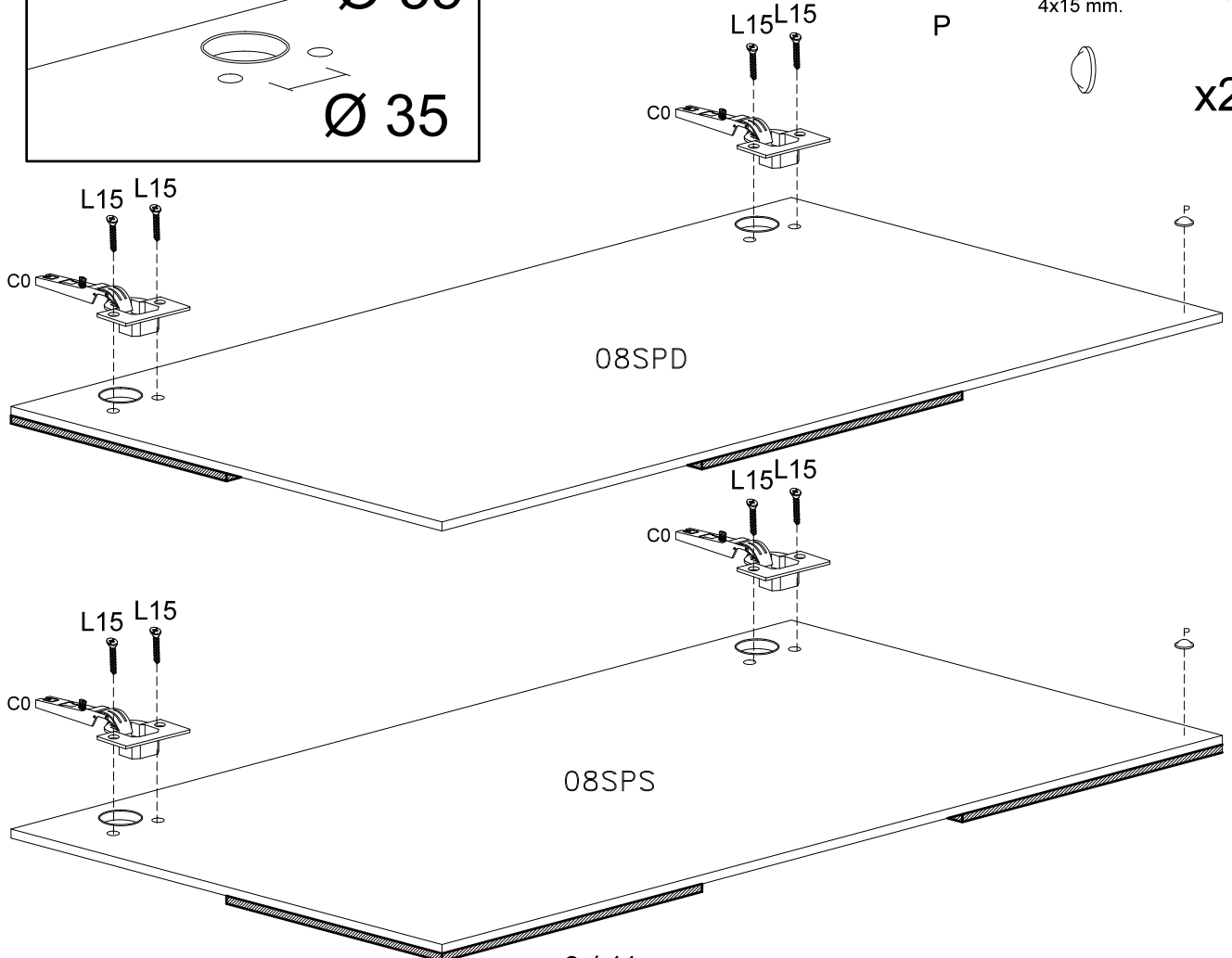
- C8  x2
- L15  4x15 mm. x4
- P  x1



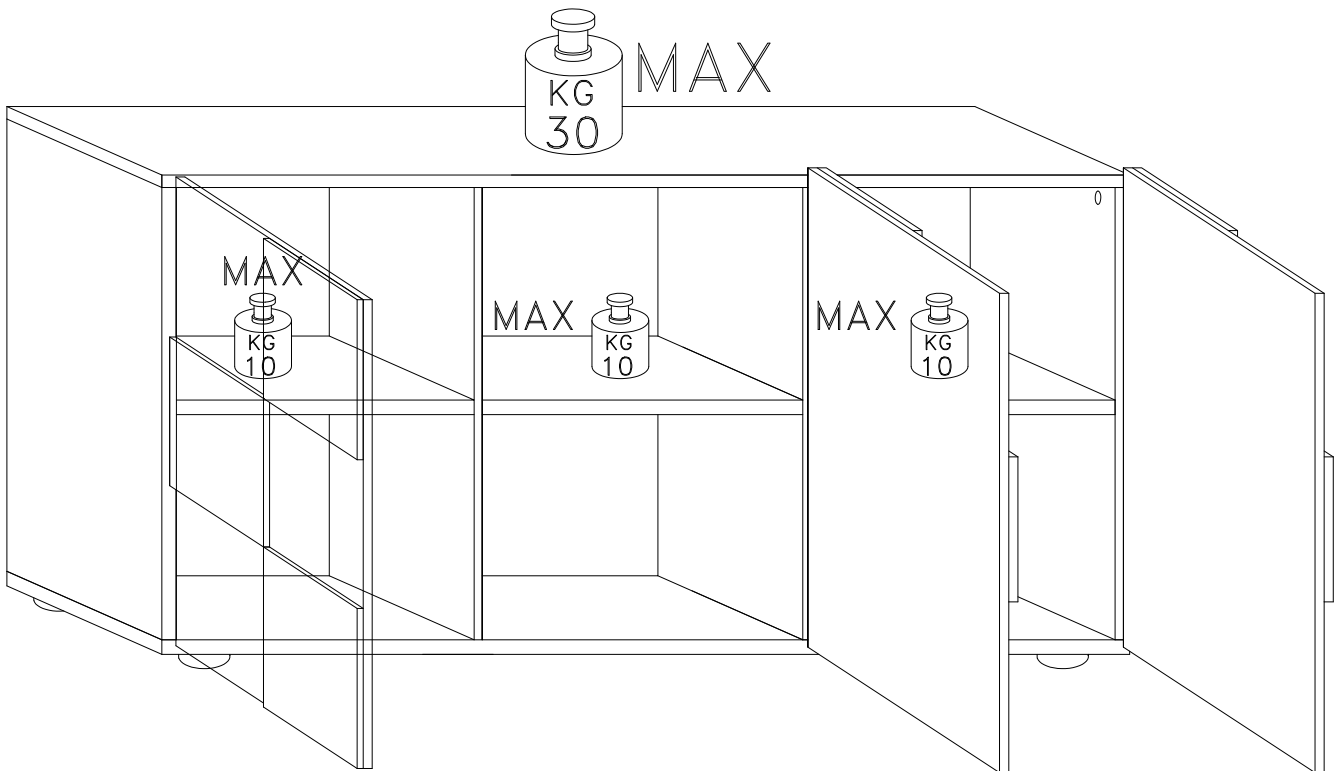
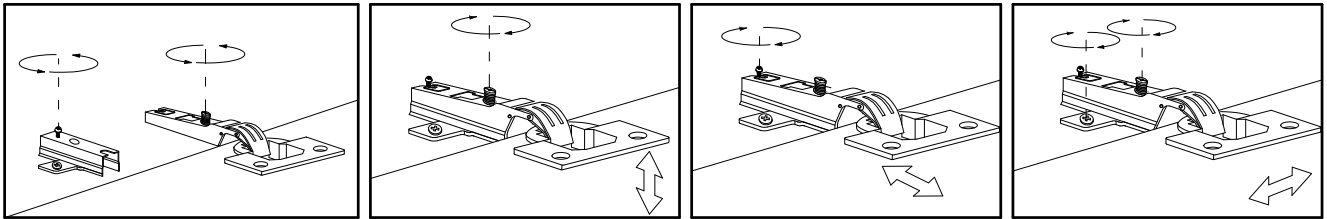
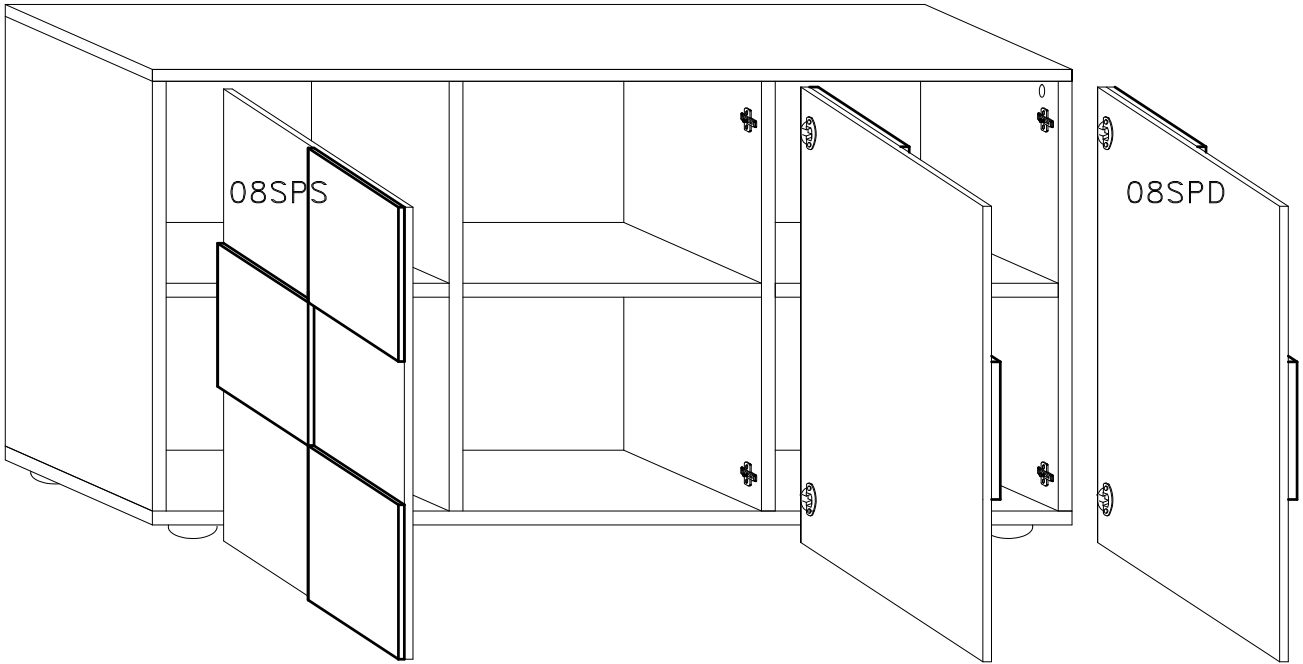
8



- C0  x4
- L15  4x15 mm. x8
- P  x2



9



T



x1

L3



4x18 mm.

x1

